

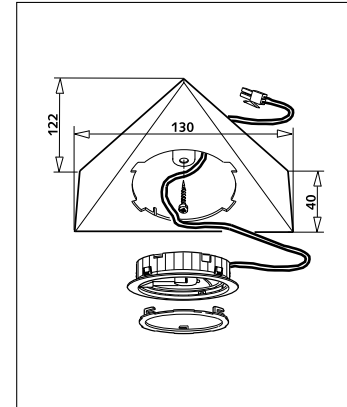
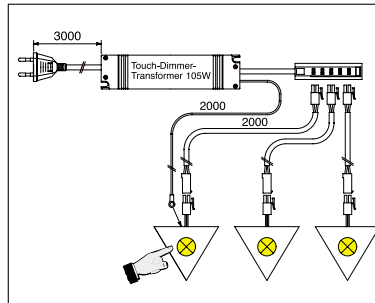
## LD 1002 - Sets



Triangular light set with touch dimmer transformer

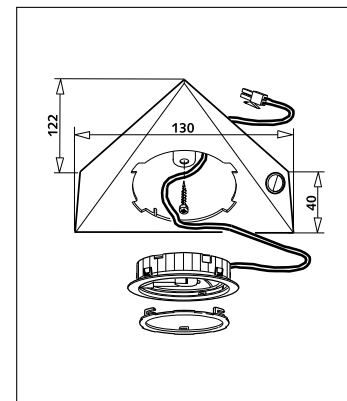
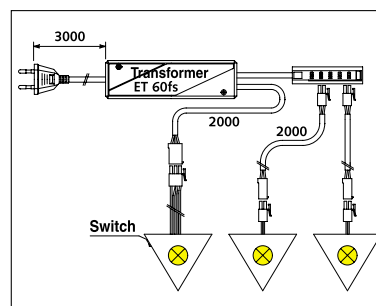
Art. No.	Type	Wattage
533 938 22	LD 1.10-D130	12V/20W 3-light-set
525 876 22	LD 1.10-D130	12V/20W 5-light-set

- Touch dimmer transformer (on/off/dimmable at one triangle)



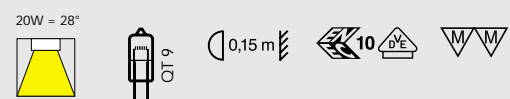
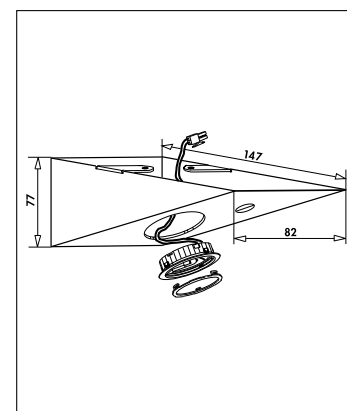
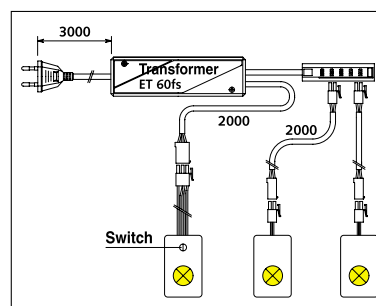
Triangular light set with integrated main switch

Art. No.	Type	Wattage
525 627 22	LD 1.10-D130	12V/20W 3-light-set
525 627 26	LD 1.10-D130	12V/20W 3-light-set



Rectangular light set with integrated main switch

Art. No.	Type	Wattage
525 883 22	LD 1.10-R	12V/20W 3-light-set
525 883 26	LD 1.10-R	12V/20W 3-light-set



Lead lengths: 1000 mm, 2000 mm

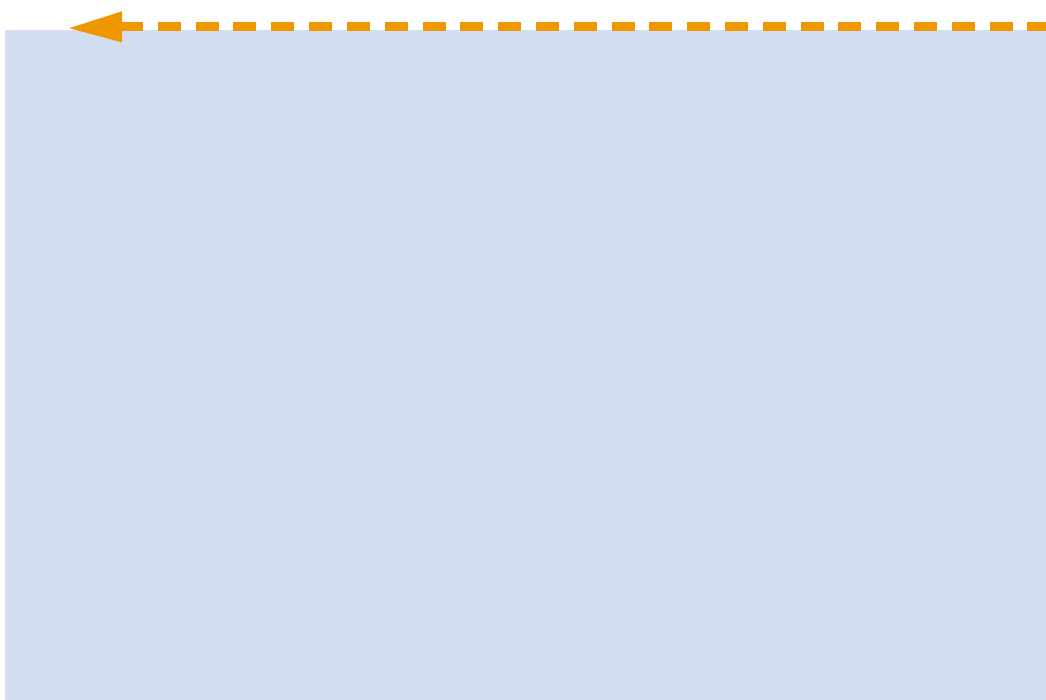
Colours:

- 22 matt nickel
- 26 aluminium-look

You will find information  
on our complete range  
„Halogen Lighting Systems“  
in our general catalogue.  
Please contact us!



*Halogen-Leuchtensysteme*  
Halogen Lighting Systems



Art. No. 540 097 87 02/02 Printed in Germany Technical modifications reserved.

 A member  
 of the  
 Ehlebracht AG

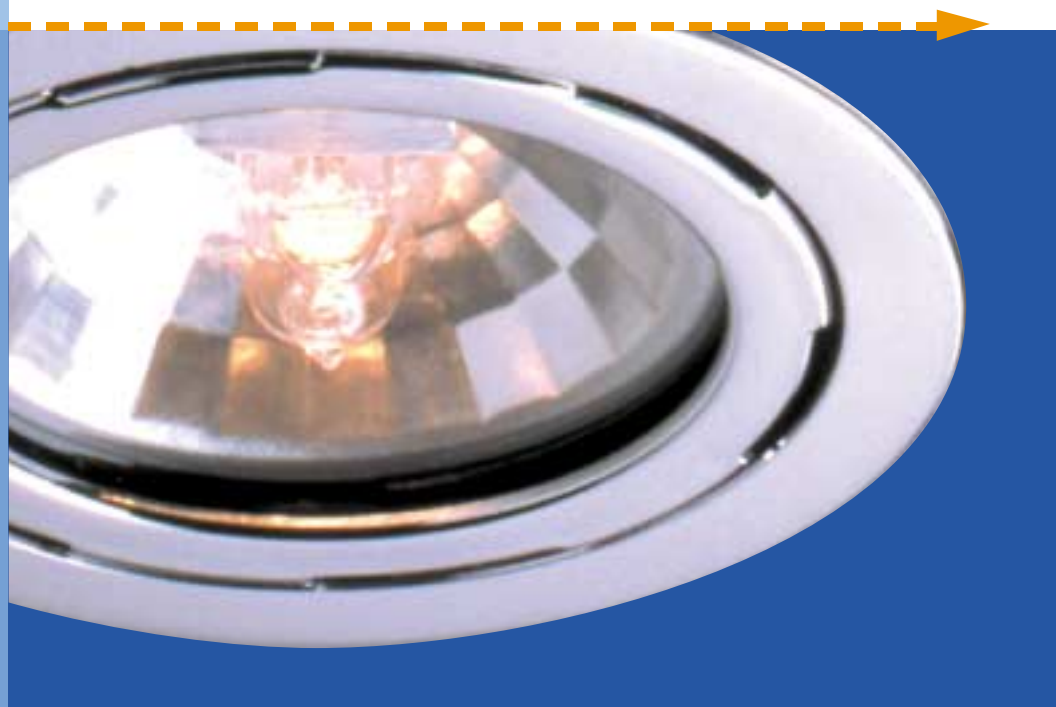


**ELEKTRA**

ELEKTRA GMBH + CO KG  
Werkstraße 7  
D-32130 Enger  
Phone +49 (0) 52 23/185-0  
Fax +49 (0) 52 23/18 53 49  
info@elektra.de · www.elektra.de

*L I G H T   D E S I G N*

**LD 1002  
12V Halogen Lights  
Transformers**



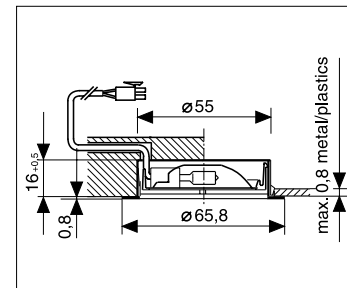
## LD 1002



### Fitted light

Art. No.	Type	Wattage	Glass
527 350 ..*	LD 1.10-1	12V/10W	opal
527 450 ..*	LD 1.10-1	12V/20W	clear

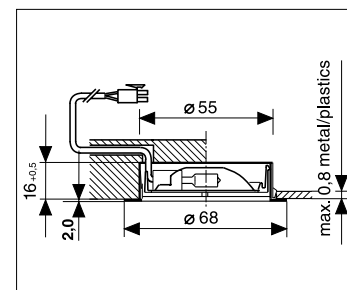
- 0,8 mm high cover ring
- 300 mm lead with AMP plug
- push-fit installation
- dimensions of installation:  $\varnothing$  55 mm  
T 16 mm



### Fitted light

Art. No.	Type	Wattage	Glass
527 360 ..*	LD 1.10-1	12V/10W	opal
527 460 ..*	LD 1.10-1	12V/20W	clear

- 2 mm high cover ring
- 300 mm lead with AMP plug
- push-fit installation
- dimensions of installation:  $\varnothing$  55 mm  
T 16 mm

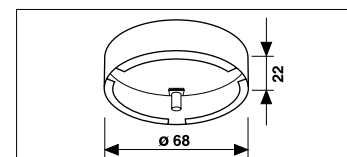


### Surface ring

Art. No.

525 820 ..\*

- incl. screw pack



### 3 mm Spacing ring

Art. No.

525 429 ..\*

- reduces the installation depth to 13 mm

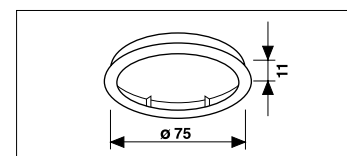


### Spacing ring

Art. No.

525 598 ..\*

- reduces the temperatures at the lateral fixing surfaces
- 68 mm drilling diameter
- push-fit installation



10W = 40°

20W = 28°



0,15 m



\*add colour code

Colours:

01 white

02 chrome

05 aluminium (silver)

09 brass

22 matt nickel

Lead lengths: 1000 mm, 2000 mm

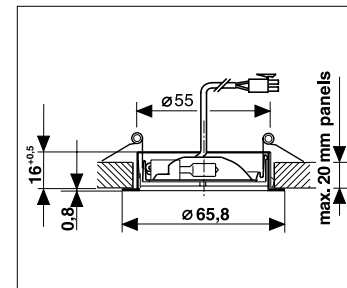
## LD 1002



### Fitted light **Ceiling springs**

Art. No.	Type	Wattage	Glass
527 510 ..*	LD 1.10-1	12V/20W	clear

- 0,8 mm high cover ring
- 300 mm lead with AMP plug
- ceiling springs
- installation in soft dry ceiling panels
- dimension of installation:  $\varnothing$  55 mm



## Transformers



### 230V Safety transformer

Art. No.	Type	Capacity	LxWxH (mm)	Version
525 480 70	TLC 60	60VA	220x46x35	terminal blocks (without cables)
525 480 01	TLC 60	60VA	220x46x35	pri: 3m lead with Euro plug sec: 6-way distributor



### 230V Electronic safety transformer

Art. No.	Type	Capacity	LxWxH (mm)	Version
525 538 70	W 60	20-60VA	110x38x27	terminal blocks (without cables)
525 538 01	W 60	20-60VA	110x38x27	pri: 3m lead with Euro plug sec: 6-way distributor
525 539 70	W 105	20-105VA	110x38x27	terminal blocks (without cables)
525 539 01	W 105	20-105VA	110x38x27	pri: 3m lead with Euro plug sec: 6-way distributor



### 230V Electronic safety transformer

Art. No.	Type	Capacity	LxWxH (mm)	Version
533 039 70	EF 70	20-70VA	141x56x20	terminal blocks (without cables)
533 039 01	EF 70	20-70VA	141x56x20	pri: 3m lead with Euro plug sec: 6-way distributor
533 300 01	EF 80	20-80VA	141x56x20	terminal blocks (without cables)
533 300 11	EF 80	20-80VA	141x56x20	pri: 3m lead with Euro plug sec: 6-way distributor
533 040 70	EF 105	20-105VA	141x56x20	terminal blocks (without cables)
533 040 01	EF 105	20-105VA	141x56x20	pri: 3m lead with Euro plug sec: 5-way distributor

## Transformers



### 230V Electronic safety transformer

Art. No.	Type	Capacity	LxWxH (mm)	Version
540 096 82	F60T-2	10-60VA	162x46x16	pri: 2m lead with Euro plug sec: 6-way distributor
533 739 70	MBL 80	20-80VA	195x45x19	pri: terminal blocks (without cables) sec: 6-way distributor
533 739 99	MBL 80	20-80VA	195x45x19	pri: 1,8m lead with Euro plug sec: 6-way distributor
533 739 01	MBL 80	20-80VA	195x45x19	pri: 3m lead with Euro plug sec: 6-way distributor
533 157 70	MBL 120	20-120VA	195x45x19	pri: terminal blocks (without cables) sec: 6-way distributor
533 157 01	MBL 120	20-120VA	195x45x19	pri: 3m lead with Euro plug sec: 5-way distributor



### 230V Electronic safety transformer

Art. No.	Type	Capacity	LxWxH (mm)	Version
525 960 70	W 150	35-150VA	190x49x39	terminal blocks (without cables)
525 960 02	W 150	35-150VA	190x49x39	pri: 3m lead with Euro plug sec: 4-way distributor



### 230V Electronic safety transformer **IP 43**

Art. No.	Type	Capacity	LxWxH (mm)	Version
533 131 70	CP 105	20-105VA	146x56x20	terminal blocks (without cables)
533 131 01	CP 105	20-105VA	146x56x20	pri: 3m lead with Euro plug sec: 5-way distributor



### 230V Electronic safety transformer „Touch Dimmer“

Art. No.	Type	Capacity	LxWxH (mm)	Version
525 706 ..*	PTS60	20-60VA	174x42x28	pri: 3m lead with Euro plug sec: 5-way distributor 1500 mm for connection to switch (on/off/dimming)
525 794 ..*	PTS105	20-105VA	174x42x28	pri: 3m lead with Euro plug sec: 5-way distributor 1500 mm for connection to switch (on/off/dimming)

Standard colours: 63 aluminium  
73 matt nickel \*add colour code

