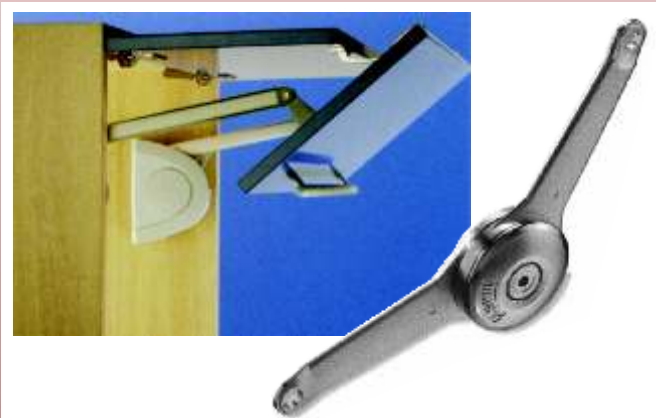


**Contents:**

**GROUP 10 - 10.1 - Overhead Lift mechanisms**

**10.2 - Keyboard Mechanisms**



>Overhead Lift Mechanisms

**Standard XL Klok with Brackets (x2)**

Stock Code	Description	Unit
KLEIGCOOK276	Klok Flap Stay Wooden Door	Each

**XL KLOK (Brackets Extra)**



Stock Code	Description	Unit
FLB1GC00I	XL Klok Flap Stay for Closing	Each

**Brackets for XL KLOK (order 1 for Cabinet, 1 for Door)**



Stock Code	Description	Unit
FLB1P0VGIN	Bracket for wooden door	Each
FLB130AGNI	Bracket for Aluminium Door	
FLB1F7VGIN	Bracket for Cabinet	

**Table for either Standard KLOK or XL KLOK**

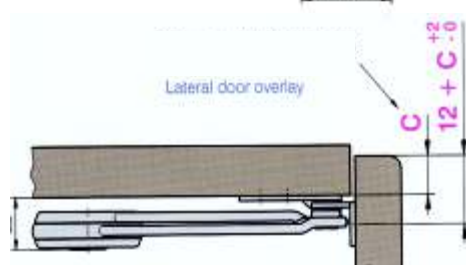
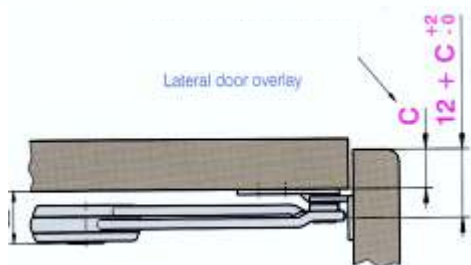
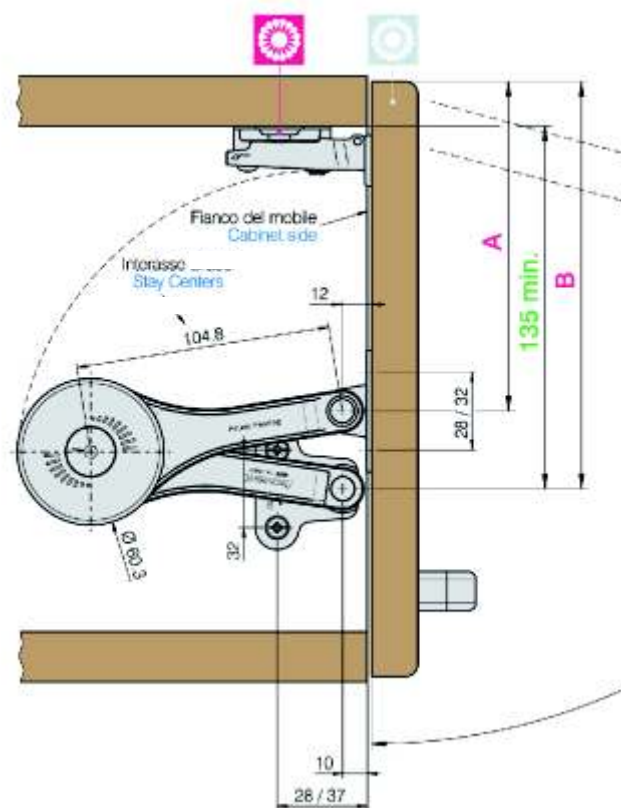
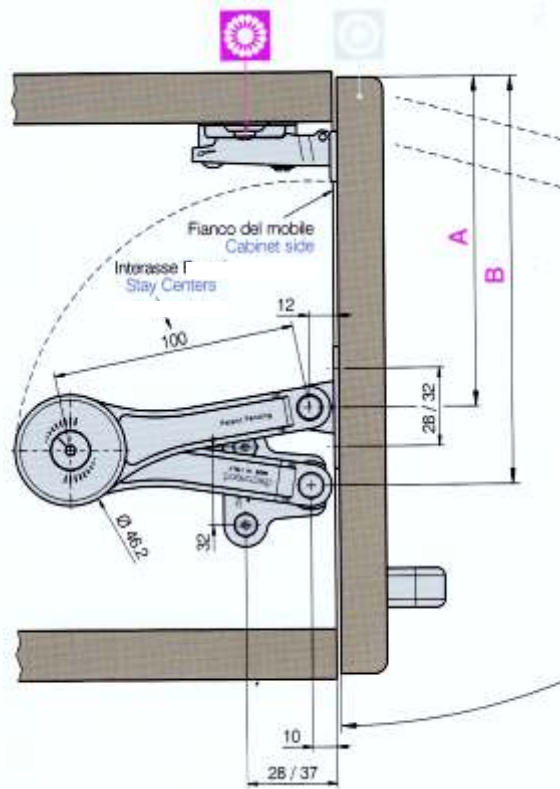
To keep the door opening in any position the number of Klok or XL Klok to use must be calculated in according to the door weight **P**, the door height **H** and the maximum opening desired **B**.

Door weight <b>P</b> and maximum opening angle <b>B</b>	Door height <b>H</b> in mm	Door height <b>H</b> in mm																	
		300		350		400		450		500		550		600		650		700	
		Klok	XL Klok	Klok	XL Klok	Klok	XL Klok	Klok	XL Klok	Klok	XL Klok	Klok	XL Klok	Klok	XL Klok	Klok	XL Klok		
2 Kg	75°	1	1	1	1	1	1	1	1	1	1	1	1	1	1	1	1		
	90°	1	1	1	1	1	1	1	1	1	1	1	1	1	1	1	1		
	105°	1	1	1	1	1	1	1	1	1	1	1	2	2	2	2	2		
3 Kg	75°	1	1	1	1	1	1	1	1	1	1	1	1	1	1	1	1		
	90°	1	1	1	1	1	1	1	2	2	2	2	2	2	2	2	2		
	105°	1	1	1	2	2	2	2	2	2	2	2	2	2	2	2	2		
4 Kg	75°	1	1	1	1	1	1	2	2	2	2	2	2	2	2	2	2		
	90°	1	1	2	2	2	2	2	2	2	2	2	2	2	2	2	2		
	105°	1	2	2	2	2	2	2	2	2	2	2	2	2	2	2	2		
5 Kg	75°	1	1	1	1	2	2	2	2	2	2	2	2	2	2	2	2		
	90°	1	1	2	2	2	2	2	2	2	2	2	2	2	2	2	2		
	105°	2	1	2	2	2	2	2	2	2	2	2	2	2	2	2	2		
6 Kg	75°	1	1	1	2	2	2	2	2	2	2	2	2	2	2	2	2		
	90°	2	1	2	2	2	2	2	2	2	2	2	2	2	2	2	2		
	105°	2	1	2	2	2	2	2	2	2	2	2	2	2	2	2	2		
7 Kg	75°	1	1	2	2	2	2	2	2	2	2	2	2	2	2	2	2		
	90°	2	1	2	2	2	2	2	2	2	2	2	2	2	2	2	2		
	105°	2	1	2	2	2	2	2	2	2	2	2	2	2	2	2	2		
8 Kg	75°	2	1	2	2	2	2	2	2	2	2	2	2	2	2	2	2		
	90°	2	1	2	2	2	2	2	2	2	2	2	2	2	2	2	2		
	105°	2	1	2	2	2	2	2	2	2	2	2	2	2	2	2	2		
9 Kg	75°	1	1	1	1	1	1	2	2	2	2	2	2	2	2	2	2		
	90°	1	1	2	2	2	2	2	2	2	2	2	2	2	2	2	2		
	105°	1	2	2	2	2	2	2	2	2	2	2	2	2	2	2	2		
10 Kg	75°	1	1	1	1	2	2	2	2	2	2	2	2	2	2	2	2		
	90°	1	1	2	2	2	2	2	2	2	2	2	2	2	2	2	2		
	105°	1	2	2	2	2	2	2	2	2	2	2	2	2	2	2	2		
11 Kg	75°	1	1	1	2	2	2	2	2	2	2	2	2	2	2	2	2		
	90°	1	2	2	2	2	2	2	2	2	2	2	2	2	2	2	2		
	105°	1	2	2	2	2	2	2	2	2	2	2	2	2	2	2	2		
12 Kg	75°	1	1	1	2	2	2	2	2	2	2	2	2	2	2	2	2		
	90°	1	2	2	2	2	2	2	2	2	2	2	2	2	2	2	2		
	105°	1	2	2	2	2	2	2	2	2	2	2	2	2	2	2	2		

> Overhead Lift Mechanisms

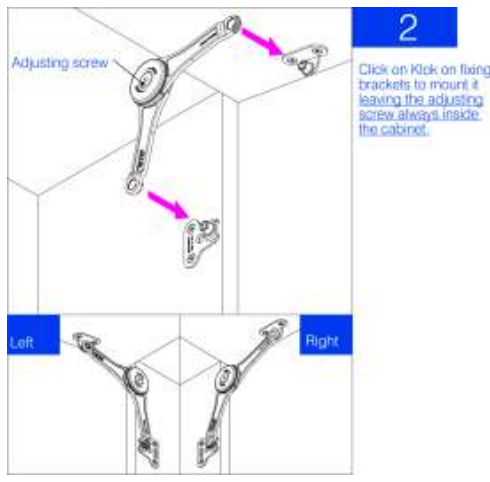
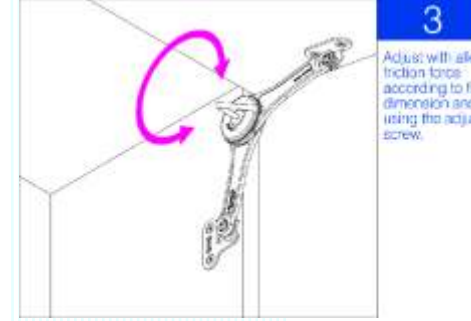
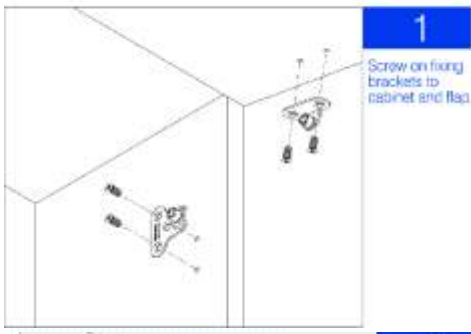
Installation Instructions KLOK

Installation Instructions XL KLOK



Kick mounting with fixing brackets supplied separately

Maximum opening angle $\theta$ (deg)	Size A	Size B
75	157	189
90	135,5	167,5
105	121	153

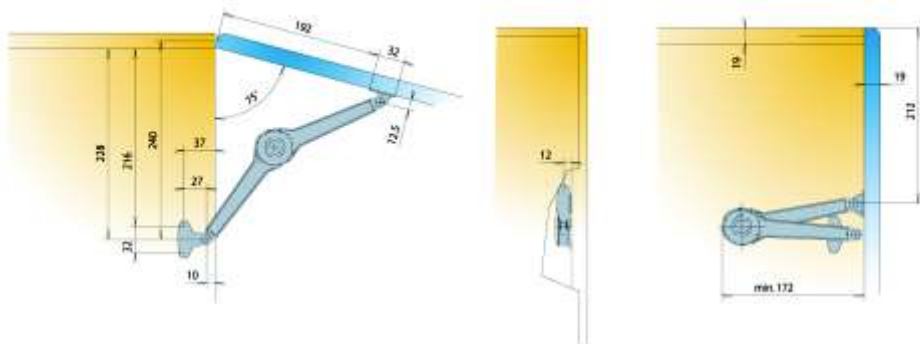


Overhead Lift Mechanisms

Group 10  
**10.1**

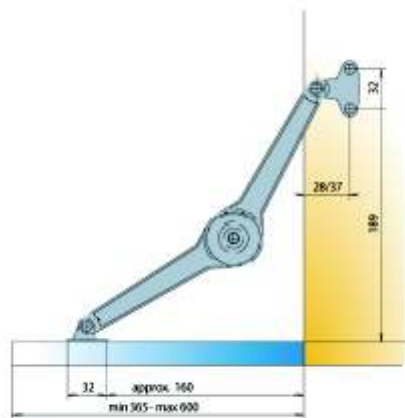
>Overhead Lift Mechanisms

Mounting details for lift up doors



Drawings show 75° opening angle, 90° and 110° opening angle can also be realised. For more information contact your representative.

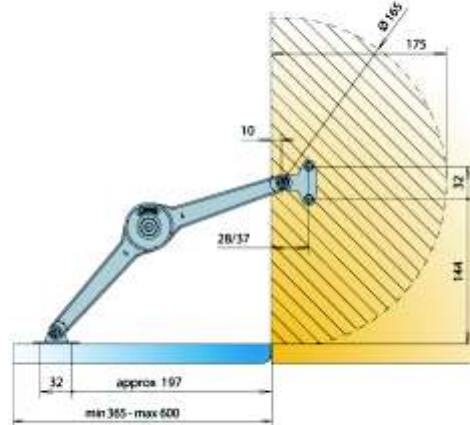
Mounting details for drop down doors (flap)



To be used with magnet

Only 90° opening angle available

Mounting details for Duo forte flap

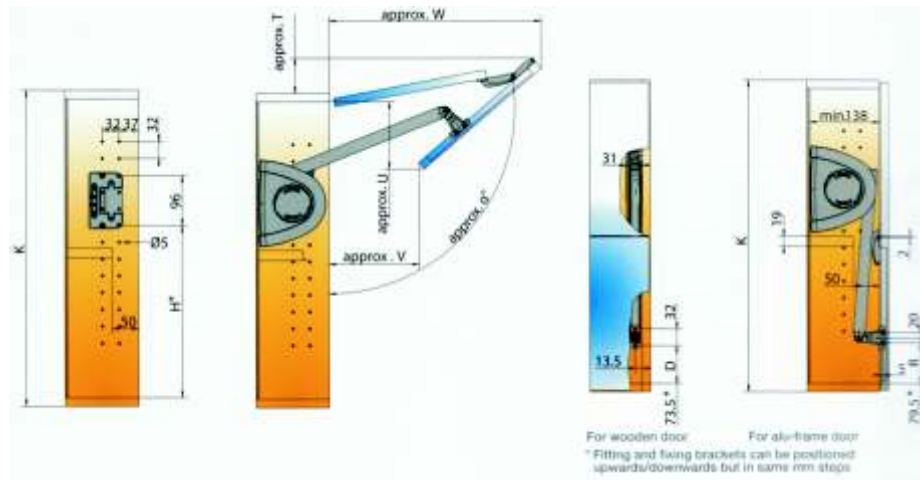


To be used without magnet



Stock Code	Description	Unit
03.3666.010.003	Lift Duo-Forte Mech Set including Brackets for Wood Door	Each
03.3667.010.003	Lift Duo-Forte Mech Set including Brackets for Wood Door	Each
03.3667.010.011	Lift Duo-Forte Mech Set including Brackets for Alum Frame Door	Each

>Overhead Lift Mechanisms



Stock Code	Description	Unit
04.3674.103.001	Lift Senso Mech for Cabinet Height (540-580) 3-6.5kg	Set
04.3674.101.001	Lift Senso Mech for Cabinet Height (580-640) 3-6kg	Set
04.3674.101.002	Lift Senso Mech for Cabinet Height (580-640) 6-11kg	Set
04.3674.101.003	Lift Senso Mech for Cabinet Height (580-640) 6-17kg	Set
04.3674.105.001	Lift Senso Mech for Cabinet Height (640-700) 3-5kg	Set
04.3674.105.002	Lift Senso Mech for Cabinet Height (640-700) 5-10kg	Set
04.3674.105.003	Lift Senso Mech for Cabinet Height (640-700) 8-16kg	Set
04.3674.102.001	Lift Senso Mech for Cabinet Height (700-780) 3.5-5kg	Set
04.3674.102.002	Lift Senso Mech for Cabinet Height (700-780) 5-9kg	Set
04.3674.102.003	Lift Senso Mech for Cabinet Height (700-780) 7-15kg	Set
04.3674.104.002	Lift Senso Mech for Cabinet Height (780-840) 5-9kg	Set
04.3674.106.003	Lift Senso Mech for Cabinet Height (840-900) 5-12kg	Set

Overhead Lift Mechanisms

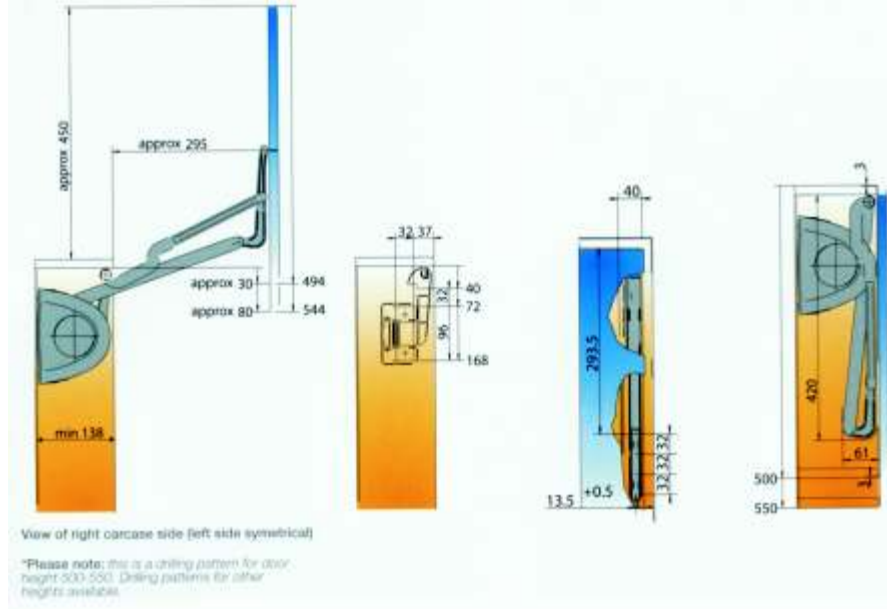
Group 10  
**10.1**



Stock Code	Description	Unit
04.3495.015.001	Lift Middle Hinge Adjust. without Pin - Euro Screw	Each



> Overhead Lift Mechanisms



Stock Code	Description	Unit
03.3685.011.001	Lift Strato Mech for Cabinet Height(342-420) 1.5-4kg	Set
03.3685.012.002	Lift Strato Mech for Cabinet Height(420-500) 2.3-5kg	Set
03.3685.012.003	Lift Strato Mech for Cabinet Height(420-500) 3.5-7kg	Set
03.3685.013.003	Lift Strato Mech for Cabinet Height(500-550) 3.8-10kg	Set
03.3685.014.003	Lift Strato Mech for Cabinet Height(550-650) 3.5-10kg	Set
03.3685.014.004	Lift Strato Mech for Cabinet Height(550-650) 6-14.5kg	Set



Stock Code	Description	Unit
03.3684.110.001	Lift Fixing Bracket suit Aluminium Frame 16mm	Each
03.3684.110.002	Lift Fixing Bracket suit Aluminium Frame 19mm	Each



Stock Code	Description	Unit
03.3684.811.000	Lift Stabilisation Bar 600 for Verso Mech 477mm	Each
03.3684.811.077	Lift Stabilisation Bar 900 for Verso Mech 777mm	Each
03.3684.811.107	Lift Stabilisation Bar 1200 for Verso Mech 1077mm	Each



Stock Code	Description	Unit
IF66287	Lift Up Overhead Stay White	Each



Stock Code	Description	Unit
IF66300	Gas Strut Silver Body 12kgs Minimum Internal Cab Height 264mm	Each



> Keyboard Mechanisms



Stock Code	Description	Unit
FFCKA2G	Keyboard Mechanism Grey 490mm	Each
FFCKA2B	Keyboard Mechanism Black 490mm	Each



Stock Code	Description	Unit
KA51252	Slide Out Keyboard Tray	Each

