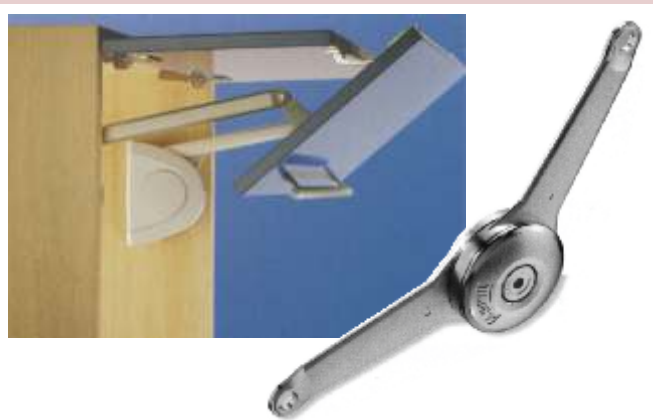


Contents:**GROUP 10 - 10.1 - Overhead Lift mechanisms****10.2 - Keyboard Mechanisms**

>Overhead Lift Mechanisms

Standard Klok with Brackets (x2)

Stock Code	Description	Unit
FLE1GC00K276	Klok Flap Stay Wooden Door	Each

XL KLOK (Brackets Extra)



Stock Code	Description	Unit
FLP1GC00I	XL Klok Flap Stay for Closing	Each

Brackets for XL KLOK (order 1 for Cabinet, 1 for Door)



Stock Code	Description	Unit
FLB1P0VGIN	Bracket for wooden door	Each
FLB130AGNI	Bracket for Aluminium Door	Each
FLB1F7VGIN	Bracket for Cabinet	Each

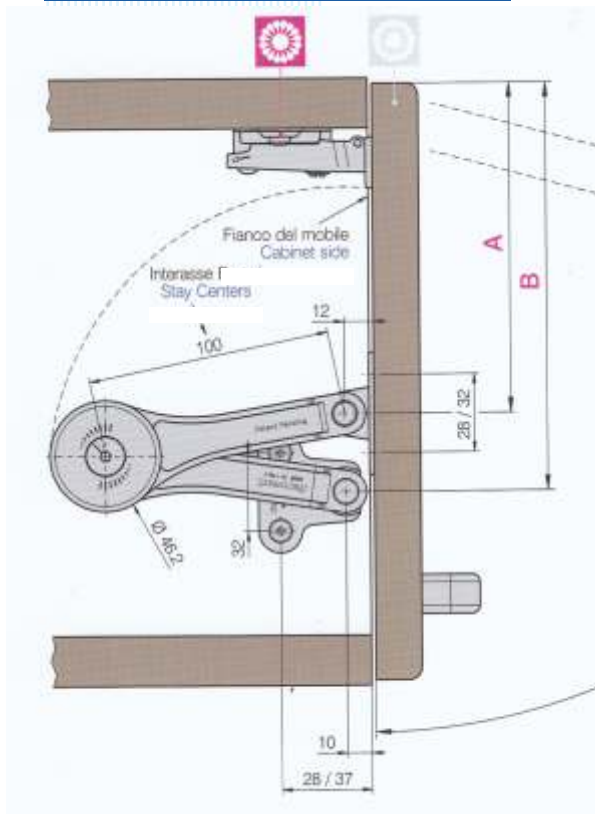
Table for either Standard KLOK or XL KLOK

To keep the door opening in any position the number of Klok or XL Klok to use must be calculated in according to the door weight **P**, the door height **H** and the maximum opening desired **B**.

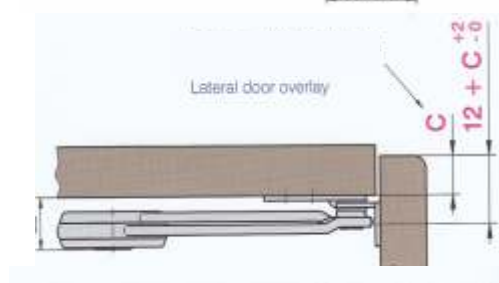
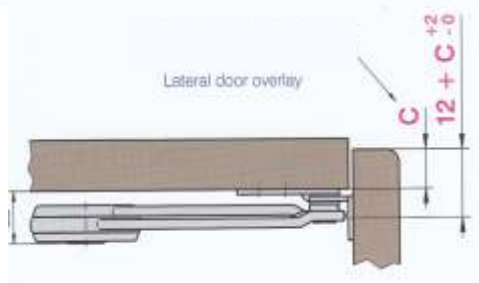
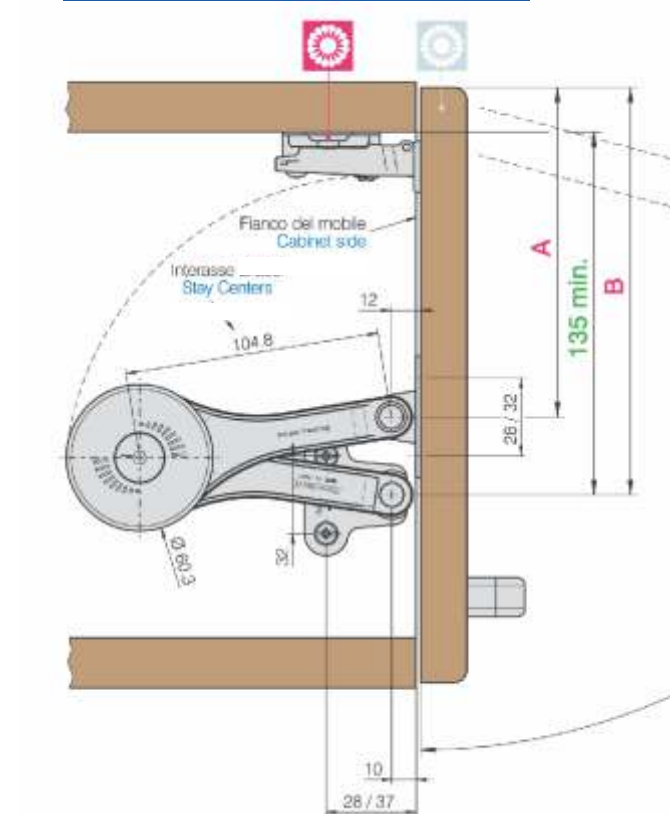
Door weight P and maximum opening angle B	Door height H in mm																	
	300		350		400		450		500		550		600		650		700	
	Klok	XL Klok	Klok	XL Klok	Klok	XL Klok	Klok	XL Klok	Klok	XL Klok	Klok	XL Klok	Klok	XL Klok	Klok	XL Klok	Klok	XL Klok
2 Kg	75°	1	1	1	1	1	1	1	1	1	1	1	1	1	1	1	1	1
	90°	1	1	1	1	1	1	1	1	1	1	1	1	1	1	1	1	1
	105°	1	1	1	1	1	1	1	1	1	1	1	2	2	2	2	2	2
3 Kg	75°	1	1	1	1	1	1	1	1	1	1	1	1	1	1	1	1	1
	90°	1	1	1	1	1	1	1	2	2	2	2	2	2	2	2	2	2
	105°	1	1	1	2	2	2	2	2	2	2	2	2	2	2	2	2	2
4 Kg	75°	1	1	1	1	1	1	2	2	2	2	2	2	2	2	2	2	2
	90°	1	1	2	2	2	2	2	2	2	2	2	2	2	2	2	2	2
	105°	1	2	2	2	2	2	2	2	2	2	2	2	2	2	2	2	2
5 Kg	75°	1	1	1	1	2	2	2	2	2	2	2	2	2	2	2	2	2
	90°	1	1	2	2	2	2	2	2	2	2	2	2	2	2	2	2	2
	105°	2	2	2	2	2	2	2	2	2	2	2	2	2	2	2	2	2
6 Kg	75°	1	1	1	1	2	2	2	2	2	2	2	2	2	2	2	2	2
	90°	2	2	2	2	2	2	2	2	2	2	2	2	2	2	2	2	2
	105°	2	2	2	2	2	2	2	2	2	2	2	2	2	2	2	2	2
7 Kg	75°	1	1	2	2	2	2	2	2	2	2	2	2	2	2	2	2	2
	90°	2	2	2	2	2	2	2	2	2	2	2	2	2	2	2	2	2
	105°	2	2	2	2	2	2	2	2	2	2	2	2	2	2	2	2	2
8 Kg	75°	2	2	2	2	2	2	2	2	2	2	2	2	2	2	2	2	2
	90°	2	2	2	2	2	2	2	2	2	2	2	2	2	2	2	2	2
	105°	2	2	2	2	2	2	2	2	2	2	2	2	2	2	2	2	2
9 Kg	75°	1	1	1	1	1	1	2	2	2	2	2	2	2	2	2	2	2
	90°	1	1	2	2	2	2	2	2	2	2	2	2	2	2	2	2	2
	105°	1	2	2	2	2	2	2	2	2	2	2	2	2	2	2	2	2
10 Kg	75°	1	1	1	1	2	2	2	2	2	2	2	2	2	2	2	2	2
	90°	1	1	2	2	2	2	2	2	2	2	2	2	2	2	2	2	2
	105°	1	2	2	2	2	2	2	2	2	2	2	2	2	2	2	2	2
11 Kg	75°	1	1	1	2	2	2	2	2	2	2	2	2	2	2	2	2	2
	90°	1	2	2	2	2	2	2	2	2	2	2	2	2	2	2	2	2
	105°	1	2	2	2	2	2	2	2	2	2	2	2	2	2	2	2	2
12 Kg	75°	1	1	1	2	2	2	2	2	2	2	2	2	2	2	2	2	2
	90°	1	2	2	2	2	2	2	2	2	2	2	2	2	2	2	2	2
	105°	1	2	2	2	2	2	2	2	2	2	2	2	2	2	2	2	2

> Overhead Lift Mechanisms

Installation Instructions KLOK

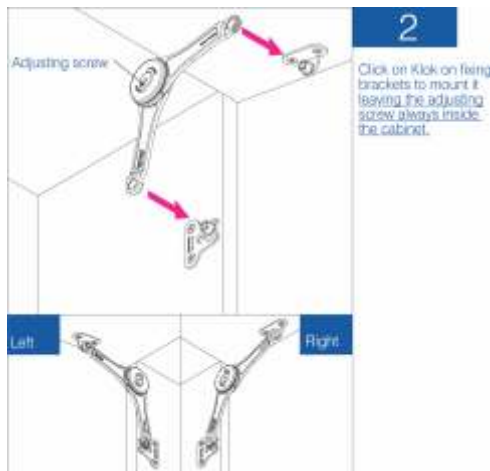
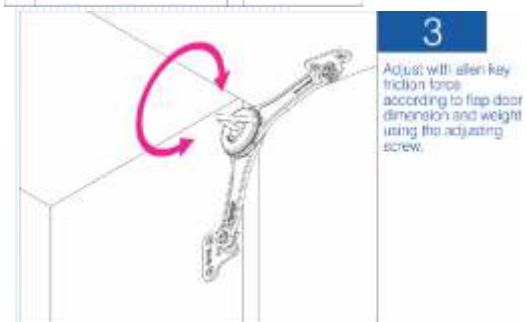


Installation Instructions XL KLOK



Maximum opening angle θ (deg)	Size A	Size B
75	157	189
90	135,5	167,5
105	121	153

Kick mounting with fixing brackets supplied separately

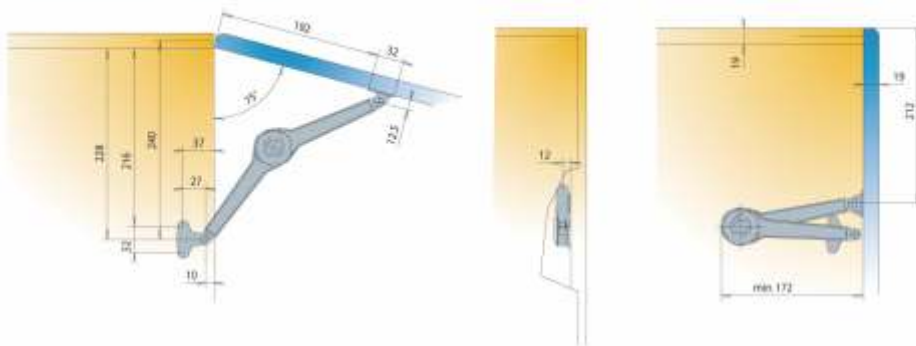


Overhead Lift Mechanisms

Group 10
10.1

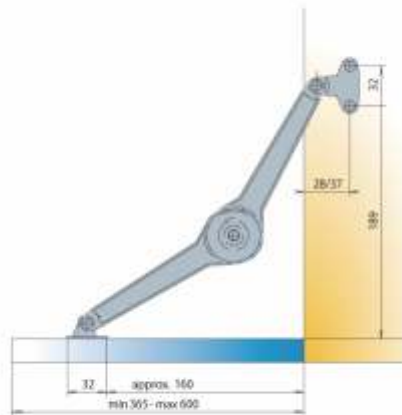
>Overhead Lift Mechanisms

Mounting details for lift up doors



Drawings show 75° opening angle. 90° and 110° opening angle can also be realised. For more information contact your representative.

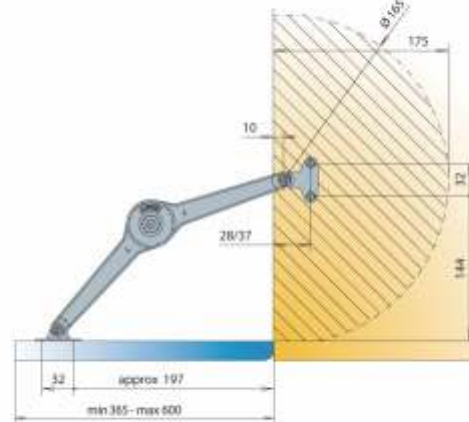
Mounting details for drop down doors (flap)



To be used with magnet

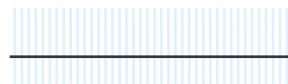
Only 90° opening angle available


Mounting details for Duo forte flap



To be used without magnet

Overhead Lift Mechanisms



	Stock Code	Description	Unit
	03.3666.010.003	Lift Duo-Forte Mech Set including Brackets for Wood Door	Each
	03.3667.010.011	Lift Duo-Forte Mech Set including Brackets for Alum Frame Door	Each

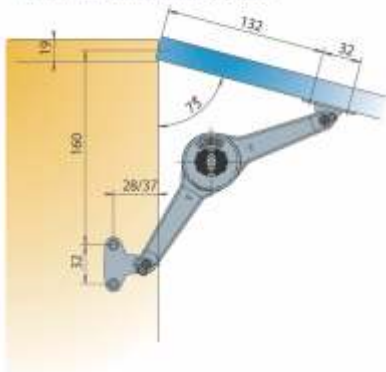
Group 10
10.1



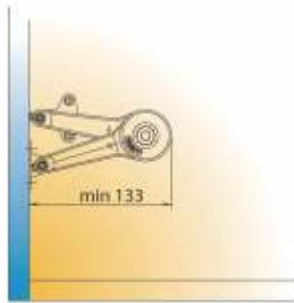
>Overhead Lift Mechanisms

Mounting details

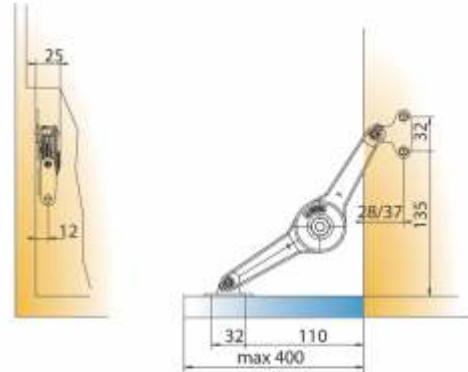
Mounting details for lift up doors



Mounting details for drop down doors



Only 90° opening angle available



To be used with magnet

Drawing shows 75° opening angle. 90° and 110° opening angles can also be realised.

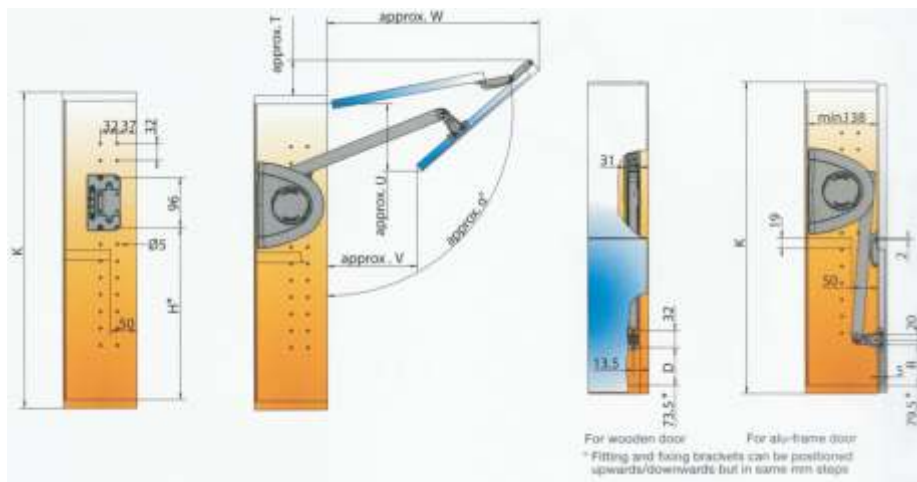
Overhead Lift Mechanisms

Group 10
10.1

Stock Code	Description	Unit
03.3667.010.003	Lift Duo Mech Set including Brackets for Wood Door	Each



>Overhead Lift Mechanisms



Stock Code	Description	Unit
03.3674.103.001	Lift Senso Mech for Cabinet Height (540-580) 3-6.5kg	Set
03.3674.101.001	Lift Senso Mech for Cabinet Height (580-640) 3-6kg	Set
03.3674.101.002	Lift Senso Mech for Cabinet Height (580-640) 6-11kg	Set
03.3674.101.003	Lift Senso Mech for Cabinet Height (580-640) 6-17kg	Set
03.3674.105.001	Lift Senso Mech for Cabinet Height (640-700) 3-5kg	Set
03.3674.105.002	Lift Senso Mech for Cabinet Height (640-700) 5-10kg	Set
03.3674.105.003	Lift Senso Mech for Cabinet Height (640-700) 8-16kg	Set
03.3674.102.001	Lift Senso Mech for Cabinet Height (700-780) 3.5-5kg	Set
03.3674.102.002	Lift Senso Mech for Cabinet Height (700-780) 5-9kg	Set
03.3674.102.003	Lift Senso Mech for Cabinet Height (700-780) 7-15kg	Set
03.3674.104.002	Lift Senso Mech for Cabinet Height (780-840) 5-9kg	Set
03.3674.106.003	Lift Senso Mech for Cabinet Height (840-900) 5-12kg	Set

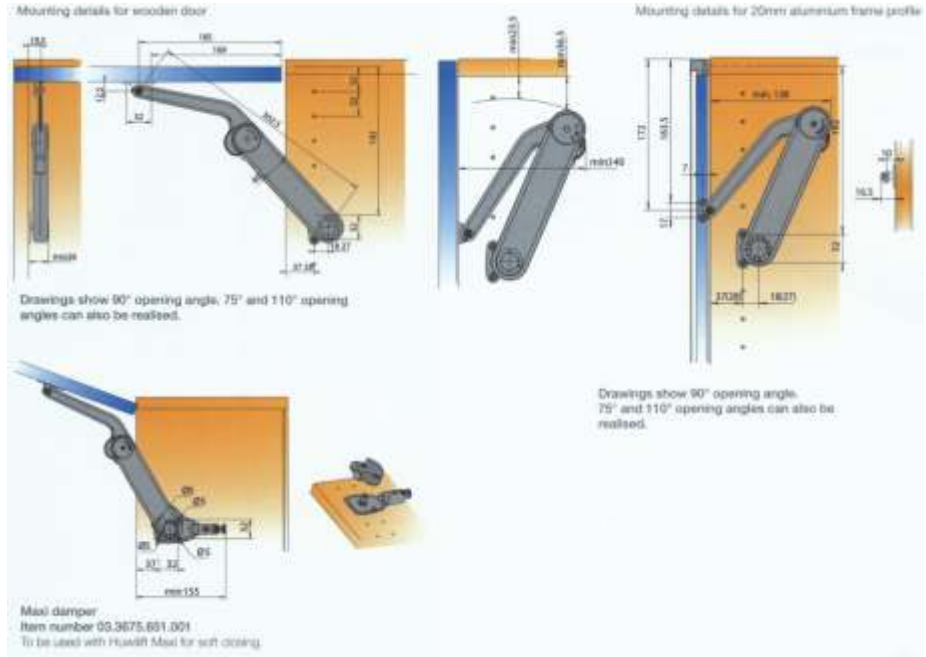
Overhead Lift Mechanisms

Group 10
10.1



Stock Code	Description	Unit
03.3495.015.001	Lift Middle Hinge Adjust. without Pin - Euro Screw	Each

>Overhead Lift Mechanisms



Stock Code	Description	Unit
03.3675.011.003	Lift Maxi Mech Grey Set Inc Brackets	Each
03.3675.012.004	Lift Maxi Mech Beige Set Inc Brackets	Each

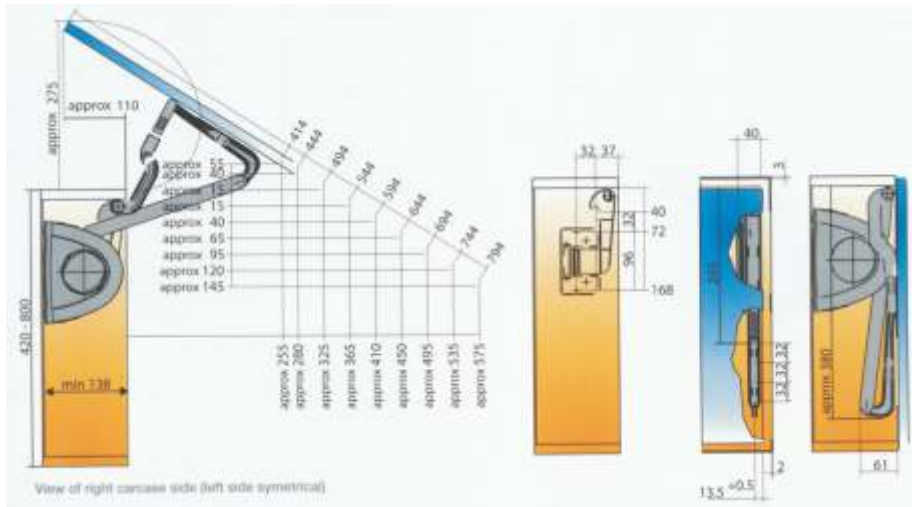


Stock Code	Description	Unit
03.3675.751.001	Lift Maxi Damper	Each

Overhead Lift Mechanisms

Group 10
10.1

>Overhead Lift Mechanisms



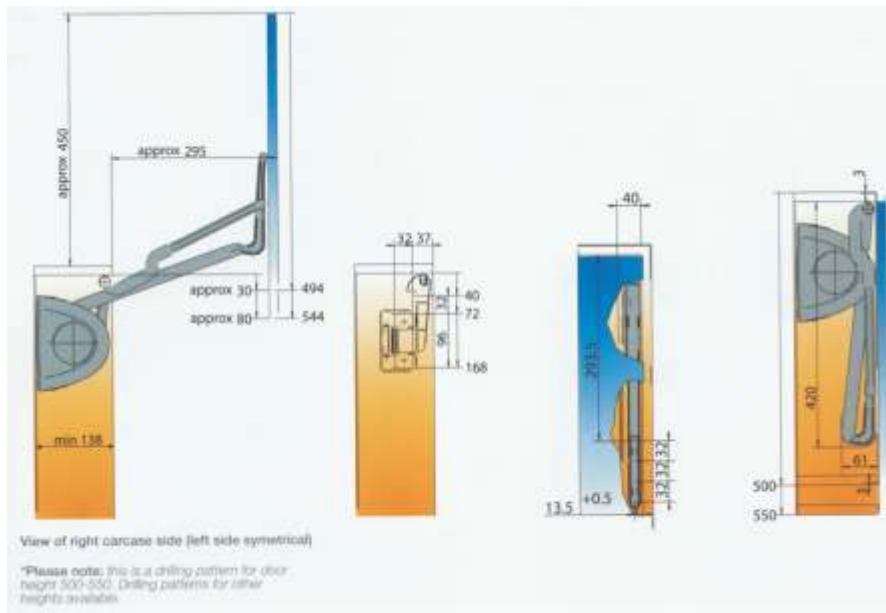
Stock Code	Description	Unit
03.3684.011.001	Huwillift Verso Mech for Cabinet Height(420-800) 2-4kg	Set
03.3684.011.002	Huwillift Verso Mech for Cabinet Height(420-800) 3.5-7kg	Set
03.3684.011.003	Huwillift Verso Mech for Cabinet Height(420-800) 6-10kg	Set



Stock Code	Description	Unit
04.3684.811.000	Lift Stabilisation Bar 600 for Verso Mech 477mm	Each
04.3684.811.077	Lift Stabilisation Bar 900 for Verso Mech 777mm	Each
04.3684.811.107	Lift Stabilisation Bar 1200 for Verso Mech 1077mm	Each

Overhead Lift Mechanisms

>Overhead Lift Mechanisms



Stock Code	Description	Unit
03.3685.011.001	Lift Strato Mech for Cabinet Height(342-420) 1.5-4kg	Set
03.3685.012.002	Lift Strato Mech for Cabinet Height(420-500) 2.3-5kg	Set
03.3685.012.003	Lift Strato Mech for Cabinet Height(420-500) 3.5-7kg	Set
03.3685.013.003	Lift Strato Mech for Cabinet Height(500-550) 3.8-10kg	Set
03.3685.014.003	Lift Strato Mech for Cabinet Height(550-650) 3.5-10kg	Set
03.3685.014.004	Lift Strato Mech for Cabinet Height(550-650) 6-14.5kg	Set



Stock Code	Description	Unit
03.3684.110.001	Lift Fixing Bracket suit Aluminium Frame 16mm	Each
03.3684.110.002	Lift Fixing Bracket suit Aluminium Frame 19mm	Each

Group 10
10.1



Stock Code	Description	Unit
IF66287	Lift Up Overhead Stay White	Pair



Stock Code	Description	Unit
IF66300	Gas Strut Silver Body 12kgs Minimum Internal Cab Height 264mm	Each

www.tekform.com.au

> Keyboard Mechanisms



Stock Code	Description	Unit
FFCKA2G	Keyboard Mechanism Grey 490mm	Each
FFCKA2B	Keyboard Mechanism Black 490mm	Each



Stock Code	Description	Unit
KA51252	Slide Out Keyboard Tray	Each

